

TIG Welding Torches "ABITIG® GRIP" air and liquid cooled



- ☒ One ergonomic handle with "GRIP" for all ABITIG® GRIP torch types – offers high grip ability and optimum feel
- ☒ Modular switching and control functions integrated into the handle – individually and ergonomically
- ☒ Short ball joint for optimum movement radius and ideal handling
- ☒ Light and flexible cable assemblies with modular machine-side connections for most available TIG welding power sources
- ☒ Reduced storage costs with only three consumable parts

ABITIG® GRIP 200 / ABITIG® GRIP 200 F

Technical data (EN 60 974-7):

Type of cooling: air cooled

Rating: 200 A DC

140 A AC

Duty cycle: 35 %

Tungsten electrodes: Ø 1.6–3.2 mm

ABITIG® GRIP 450 W

Technical data (EN 60 974-7):

Type of cooling: liquid cooled¹

Rating: 420 A DC / 400 A DC

300 A AC / 280 A AC

Duty cycle: 60 % / 100 %

Tungsten electrodes: Ø 1.6–4.8 mm

ABITIG® GRIP 450 W SC

Technical data (EN 60 974-7):

Type of cooling: liquid cooled¹

Rating: 480 A DC / 450 A DC

340 A AC / 320 A AC

Duty cycle: 60 % / 100 %

Tungsten electrodes: Ø 1.6–4.8 mm

¹ Torch input pressure:

Min. 2.5 bar (max. 3.5 bar);

Min. flow rate: 0.7 l/min.

Technical data based on cable assembly lengths of up to 8.00 m.

Torch complete			Torch body		
Type	Cooling	Part-No.	Version	Part-No.	
ABITIG® GRIP 200	air cooled	see comment	Standard	774.0010	
ABITIG® GRIP 200 F	air cooled	see comment	Flexible	774.0130	
ABITIG® GRIP 200 K	air cooled	see comment	Short	774.0230	
ABITIG® GRIP 450 W	liquid cooled	see comment	Standard	775.0010	
ABITIG® GRIP 450 WK	liquid cooled	see comment	Short	775.0230	

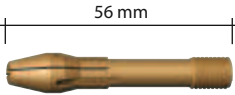
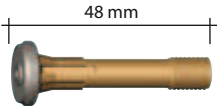
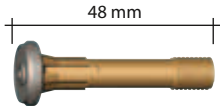
The torch bodies (standard and short) for ABITIG® 450 W SC are identical with those for ABITIG® 450 W. The complete torches differ only in terms of the layout of the cable assembly.

² Due to the highly differing types of connections on the machine side we cannot list order numbers for complete torches. Please use the TIG torch overview for the order of complete torches – this you can find in the download area of our website www.binzel-abicor.com.

ABITIG® GRIP 200, ABITIG® GRIP 450 W, ABITIG® GRIP 450 W SC

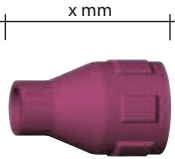
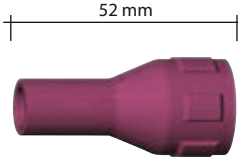
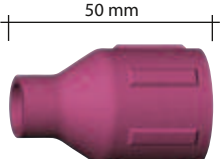
Wear parts

			
Back cap (1 pc.)	Short 773.0053	Medium 773.0055.1	Long 773.0051

			
Electrode holder / Gas diffuser (5 pcs.)	Electrode holder	Gas diffuser	Gas diffuser
Ø 1.6 mm	775.0062	773.0172	773.0172
Ø 2.0 mm	775.0067	773.0177	773.0177
Ø 2.4 mm	775.0063	773.0173	773.0173
Ø 3.2 mm	775.0064	773.0174	773.0174
Ø 4.0 mm	775.0065	773.0175	773.0175
Ø 4.8 mm	775.0066	773.0176	773.0176

		
Insulator (1 pc.)	Standard version 775.1043	For gas diffuser 775.1143

	
Gas diffuser (1 pc.)	Gas diffuser
Ø 1.6 mm	775.0122
Ø 2.4 mm	775.0123
Ø 3.2 mm	775.0124
Ø 4.0 mm	775.0125
Ø 4.8 mm	775.0126

			
Gas nozzle, ceramic (10 pcs.)	Standard version x = 26 mm x = 37 mm	Standard version	For gas diffuser
Ø 7.5 mm	– 775.0081	775.2171	–
Ø 10.0 mm	775.0152 775.0082	775.2172	–
Ø 12.5 mm	– –	–	778.1183
Ø 13.0 mm	775.0153 775.0083	775.2173	–
Ø 13.0 mm (boosted)	– 775.0183	–	–
Ø 15.0 mm	– 775.0084	775.2174	–
Ø 15.0 mm (boosted)	– 775.0184	–	–
Ø 16.0 mm	– –	–	778.1184
Ø 19.5 mm	– –	–	778.1188